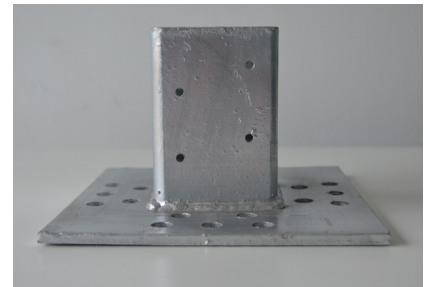
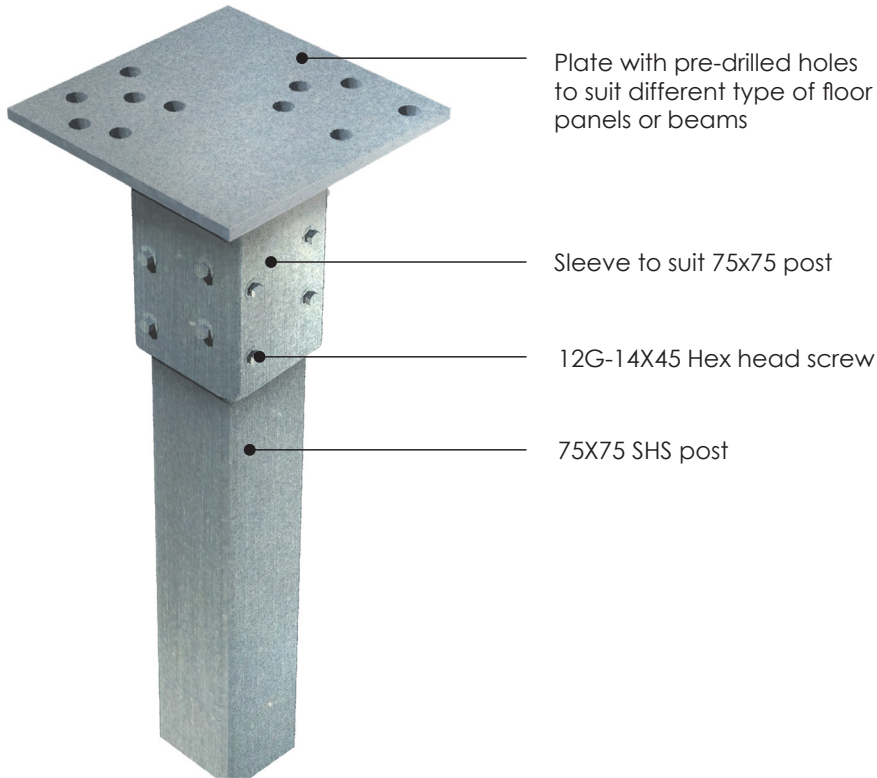



PIER HEADS



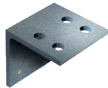

Why your choice is APAC pier heads?

- Easy to install, minimize site costs
- In accordance with:
 - AS 4100 - 1998
 - AS 5131 : 2016
 - AS 4792 : 2006
 - AS/NZS 1554.1: 2011
 - AWS D1.1
 - BS 4515
- No welding or bending required, bolted connections
- Hot dipped galvanized
- Designed for 75x75 SHS post
- Multiple types for different applications
- Designed to suit APAC floor panels
- Offset to line up with building perimeter


Pier head types

	Corner pier head PHA Stock# 50107-PIH-00A	235 Mpa Steel, HDG, 600 gsm 190X190X8mm top plate 125mm long sleeve 5mm Thick	Supports floor panels at corners
	Central pier head PHB Stock# 50107-PIH-00B	235 Mpa Steel, HDG, 600 gsm 220X220X8mm top plate 125mm long sleeve 5mm Thick	Supports floor panels at centres
	Central pier head PHC Stock# 50107-PIH-00C	235 Mpa Steel, HDG, 600 gsm 270X220X8mm top plate 125mm long sleeve 5mm Thick	Supports floor panels at centres with an extra beam
	Side pier head PHD Stock# 50107-PIH-00D	235 Mpa Steel, HDG, 600 gsm 270X155X8mm top plate 125mm long sleeve 5mm Thick	Supports floor panels at building perimeter

Related accessories

	VA1 Angle Bracket Stock# 50107-ANC-001	235 Mpa Steel, HDG, 600gsm 75X75X6mm EA	Supports verandah floor panel
	VA2 Angle Bracket Stock# 50107-ANC-006	235 Mpa Steel, HDG, 600gsm 60X60X3mm EA	Supports verandah roof beam

Related Product

	SHS Profile Stock# 50107-SHS-001	345 Mpa Steel, HDG, 600 gsm 75X75X4mm SHS	SHS profile suitable for columns
---	-------------------------------------	--	----------------------------------

Installation instructions :

Refer to product technical data brochure and shop drawings for further information and details.

Warranty :

You have purchased a quality APAC building product. This product is covered by a 12 month warranty, covering faults in the product as supplied. For any additional information, please feel free to contact one of our helpful staff.

DISCLAIMER:

This document is current as at September 2018 and supersedes all previous versions.
The material in this document is provided for general information purposes only.
Although all reasonable efforts have been made to ensure that the information is current, relevant and accurate as at the date of issue, the information provided is selective and may not be complete or suitable for your intended use or jurisdiction.
No information in this document constitutes, or shall be relied upon as constituting, the giving of advice of any nature. Nor is any such information to be used as a substitute for (1) specific advice from appropriate independent professional advisors in your jurisdiction regarding your particular facts and circumstances or (2) compliance with the requirements of applicable regulatory authorities, standards, regulations, laws, or building codes.
You should not act (or refrain from acting) based upon information provided by APAC® without independently verifying the original source information and, making your own independent assessment, with the assistance of appropriate independent professional advisors, regarding your particular facts and circumstances.
APAC® makes no representation or warranty, express or implied, as to the accuracy, completeness or suitability for purpose, of any information in this document.
To the extent permitted by law, APAC® accepts no responsibility to the recipient or any other person for any loss, damage, cost or expense (whether direct or indirect and however caused, including by negligence) incurred and arising out of or in connection with any use or reliance by any of them on the information in this document including, but not limited to, as a result of any error, omission or misrepresentation in any information or statement in this document. This limitation of liability includes but is not limited to incidental, special or consequential damages, damages for loss of business or other profits. Liability which cannot legally be excluded is limited to the maximum extent possible.
Any reproduction or dissemination of all or any part of this document is prohibited, except with the prior written consent of APAC® Ltd.